

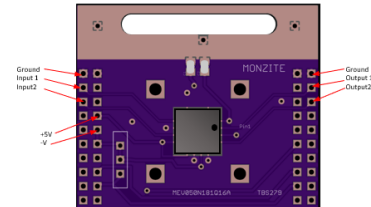
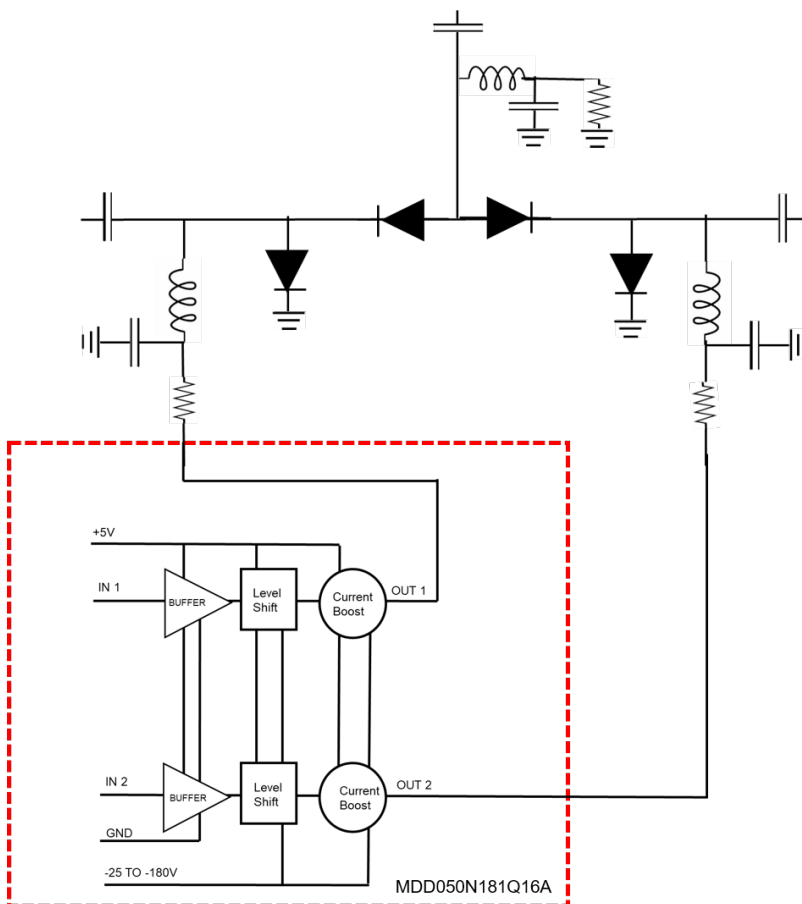
## GENERAL DESCRIPTION

The MEV050N181Q16A is an evaluation board for the MDD050N181Q16A Dual +5V/-180V PIN Diode Switch Driver. The board breaks out the Logic Inputs (In1, In2) and supply voltages (+5V and -V) to solder pads on one side of the board and the controlled outputs (Out1 and Out2) to solder pads on the opposite side of the board.

## MECHANICAL

The MEV050N181Q16A consists of the MDD050N181Q16A Dual +5V/-180V PIN Diode Switch Driver, bypass capacitors and solder terminals. The solder pads on either side of the board will also accept standard 0.1 inch center header connectors for easy evaluation.

## FUNCTION BLOCK DIAGRAM



## PIN CONNECTIONS

See illustration above for signal locations.

NA See illustration for signal connections