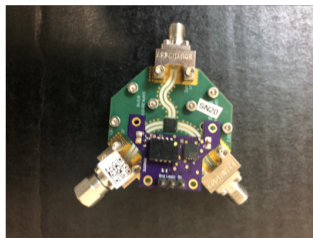
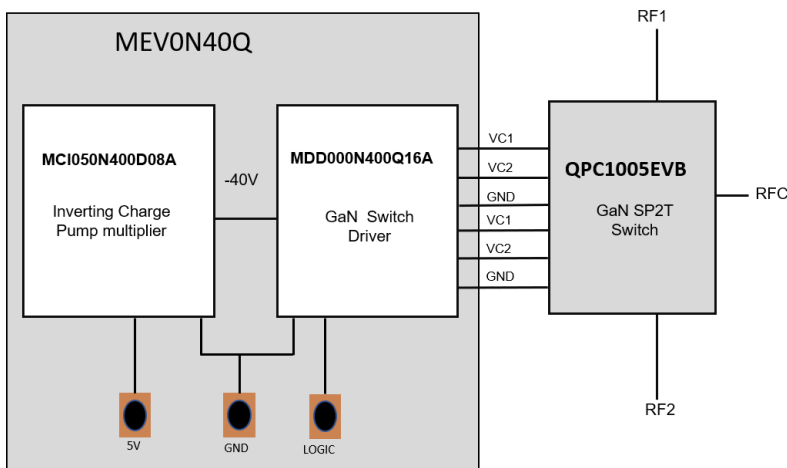


**PRELIMINARY\_V1**

**GENERAL DESCRIPTION**

MEV0N40Q is an evaluation board designed to mate with the Qorvo QPC1005EVB and provides the driver logic and voltages required to drive the QPC1005 GaN SP2T. The evaluation board includes a Monzite dual GaN switch driver and an inverting charge pump that converts a +5V supply to -40V. The MEV0N40Q mounts directly to the 6-pin header provided on the top of the QPC1005EVB.

**FUNCTION BLOCK DIAGRAM**

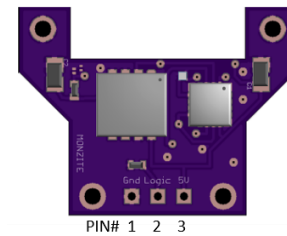


**MECHANICAL**

The MEV0N40Q is an evaluation board consisting of the MDD000N400Q16A dual channel GaN Switch Driver and the MCI050N400D08A Inverting Charge Pump. The MEV0N40Q mounts directly on top of the 6-pin header of the Qorvo QPC1005EVB and provides all the control logic and voltages (0V and -40V) required to drive the QPC1005 SP2T GaN Switch. The MEV0N40Q requires only 5V, GND and a single logic control input to drive the QPC1005EVB.

ECCN Code EAR99

MEV0N40Q is RoHS 3 (EU 2015/863) compliant.



**PIN CONNECTIONS**

- 1 Ground
- 2 Logic
- 3 +5V