

GENERAL DESCRIPTION

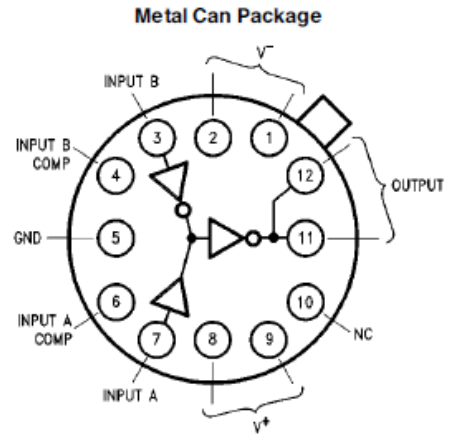
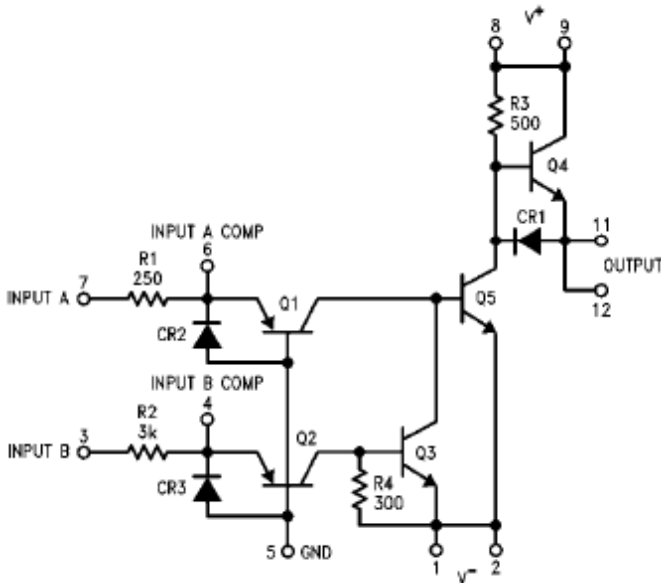
The 9535 is a high speed differential driver designed to drive PIN diode switches in RF modulators and switches. The driver is compatible with CMOS and TTL logic and has a single inverting channels +/- 15v and up to +/-400ma.

FEATURES

- High PRR 5 MHz
- Large output voltage 30V
- Peak output current in excess of 1A
- Direct replacement for DH0035/DH0035C

MECHANICAL

The 9535 is composed of silicon discrete BJT's mounted to a thin film substrate with integral TaN resistors. Package is TO-10 hermetic glass metal construction designed for good thermal footprint at high current ideal for integration into Microwave Assembly which operates in harsh environments of high temperature and vibration.



E		
Model	Temperature Range	Environmental Screening
9535	0 to +85C	NA
9535-T	-55 to +125C	Mil-STD 883

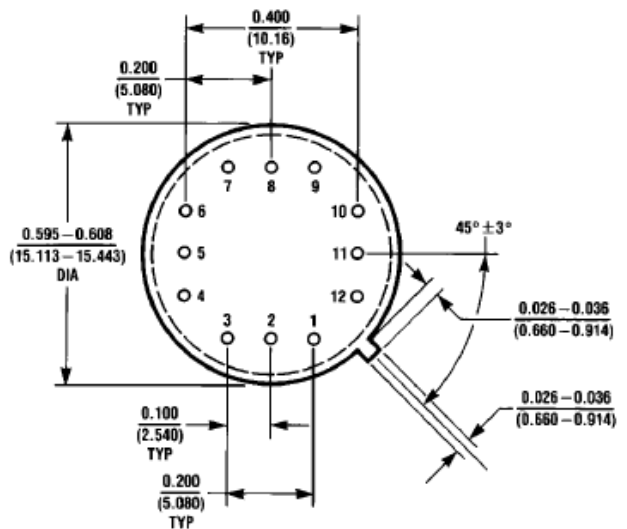
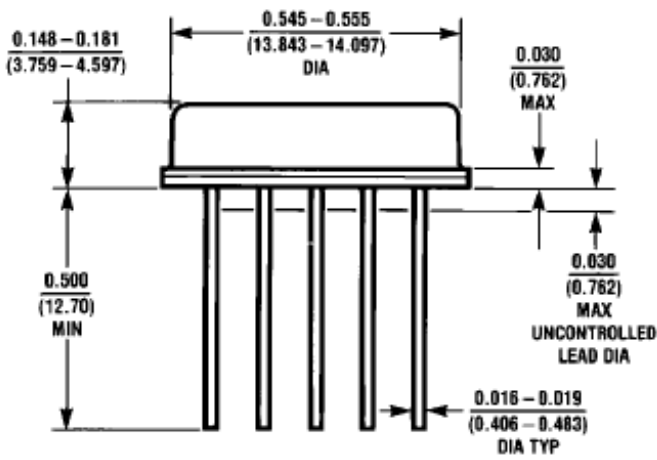
PIN CONNECTION			
PIN	Function	PIN	Function
1	V-	12	Output
2	V-	11	Output
3	Input B TTL	10	NC
4	Input B Comp	9	V+
5	GND	8	V+
6	Input A comp	7	Input A

TRUTH TABLE		
In A	Input B	Output
0	1	+ma
1	0	-ma

ABSOLUTE MAXIMUMS				
Symbol	Parameter	Min	Max	Units
Vcc	Supply Voltage + differential	0	+30	Volts
Vee	Supply Voltage - differential		-40	Volts
To	Operating Temperature	-54	+ 100	Deg C
Ts	Storage Temperature	-65	+ 125	Deg C

MECHANICAL SPECIFICATIONS					
Parameter	Conditions	Min	Typ	Max	Units
Width round			.555		in
Thickness			.160		in
Terminal finish	Al	Gold			

ELECTRICAL SPECIFICATIONS V+ = +10V, V- = -10V 25 C .5 MHz PRR						
SYMBOL	PARAMETER	CONDITIONS	MIN	TYP	MAX	UNITS
Input						
V _{IH}	Logic 1 Input Voltage	TTL	2.4	1.0	2.0	V
V _{IL}	Logic 0 Input Voltage	TTL	.4	.6		V
Output						
V _{OH}	Positive Output Swing	I out = 100 mA	+7	+8		V
V _{OL}	Negative Output Swing	I out = 100 mA		-8	-7	V
I _{sc}	Positive Short circuit		400	800		mA
I _{scL}	Negative Short circuit		800	1000		mA
I _{OPK}	Peak Output Current	Sink			3	A
Supply						
+I _{QC}	+ Quiescent Current	2 MHz 50% duty cycle		45	60	mA
Dynamic						
T _{Off}	Turn Off Delay			15	30	nsec
T _{Don}	Turn On Delay			10	15	nsec
T _{SOff}	Switching Speed Off	330 pf load		12		nsec
T _{SOn}	Switching Speed On	330 pf load		12		nsec
PRR	Pulse repetition Rate	Max, 10 pF loads		3	5	MHz



Impellimax Line of Drivers